



## WHAT IS COPPERWOOD?

### Quality

Copperwood is a brand of low maintenance wood fencing material, pre-treated and pre-stained.

### Durability

Harvested and milled in the Ozark Mts, Copperwood is a slow growth Ozark pine, making it denser, stronger and more stable than traditional pine species.

### Resistance

Copperwood is impregnated with Copper Naphthenate (CuNap) giving more resistance to fungus and insects while extending the life of the wood fibers.

### Low-Maintenance

CuNap weathers to a rich coppery color which holds longer than most brands of stain.

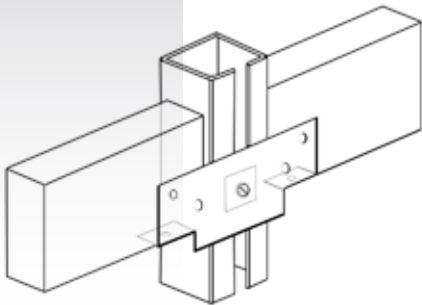
### Warranty

Copperwood carries a conditional 25-year warranty on material and requires no additional staining or sealing.

### Safety

Copperwood is a non-hazardous wood that is safe for use around humans, animals and plants.

## LINE POST



# A BETTER FENCE

## NO ROTTING POSTS

The steel C-Posts in the ground won't rot like wood posts for a longer lasting fence.

## NO DIGGING OR CONCRETE

Less damage to your yard, no heavy equipment, and no mess!

## REDUCED FROST HEAVE

18-gauge steel posts are driven into the ground *below the frost line*. Smooth posts reduce the ability for frost to grab ahold.

## REDUCED POST SINKING

No over-dug holes or heavy footings to settle

## STRONGER FRAMEWORK

Specialty steel brackets are used to secure rails to C-Posts providing better protection against wind loads.

## HIDDEN C-POSTS

The C-Posts are covered in wood giving you the look of a traditional wood fence ...*but better*.

## THE END RESULT

A Lovewell Fence stays straighter and stronger longer!

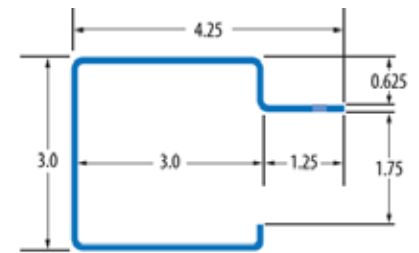


## GATE POST



## SPECS

- ▶ A653 SS Grade 50
- ▶ Thickness - 0.100 inch
- ▶ Yield Strength - 50 ksi
- ▶ Tensile Strength - 65 ksi
- ▶ Wind Load - 112.6 mph  
(ULT, ASCE 7-10, IBC 2012)



## HARDWARE

